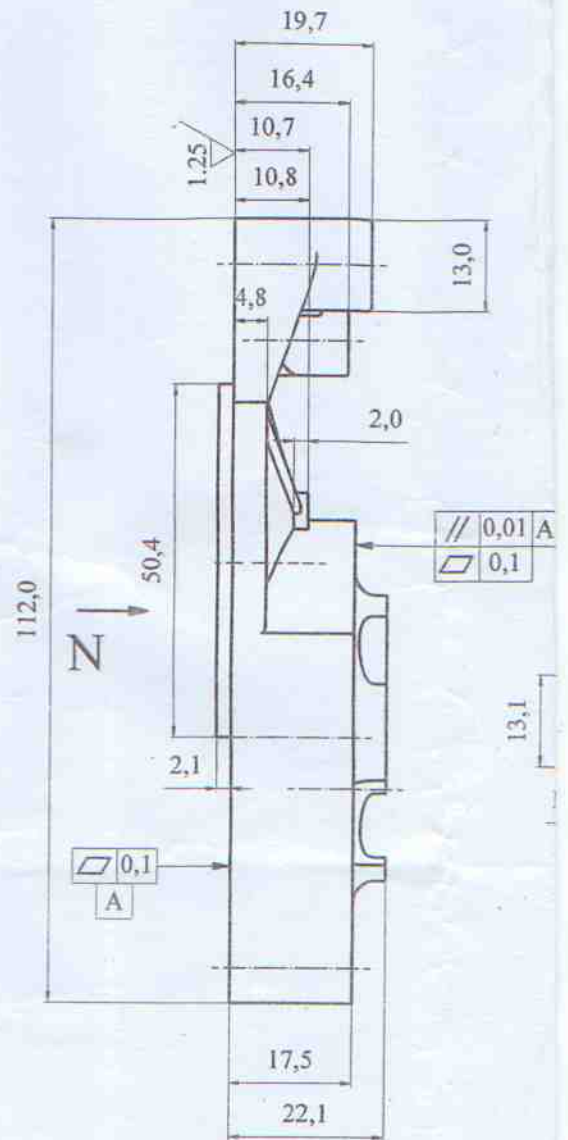
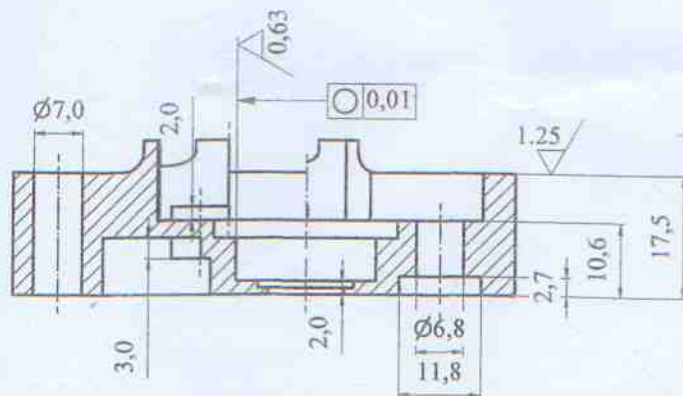


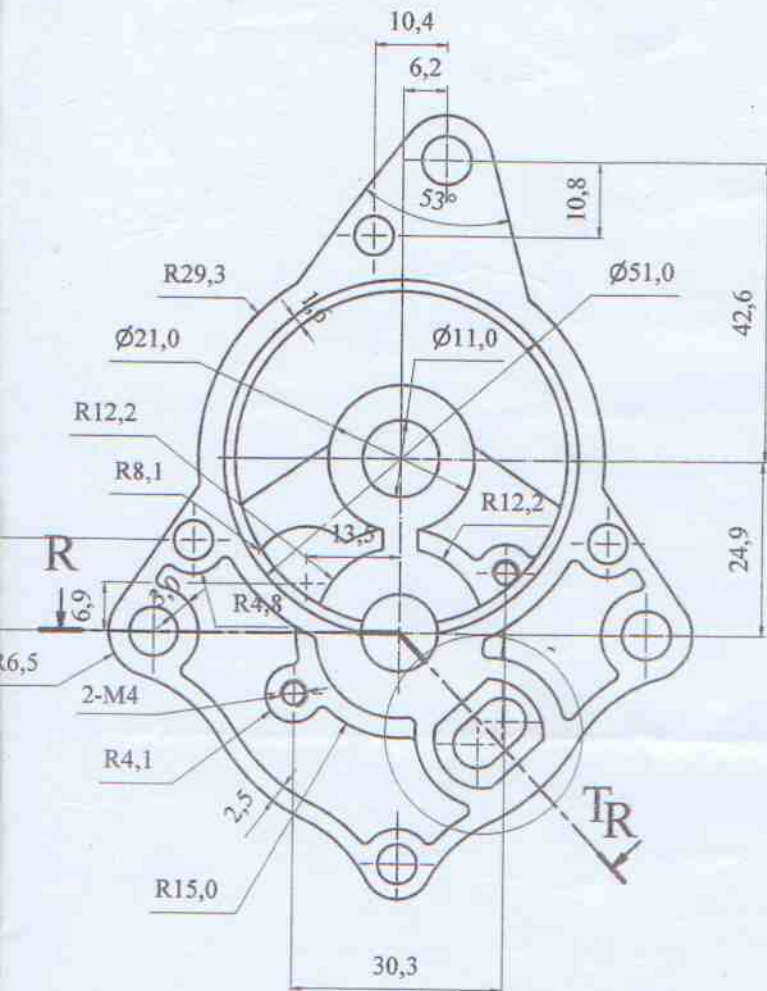
R-R (1:1)



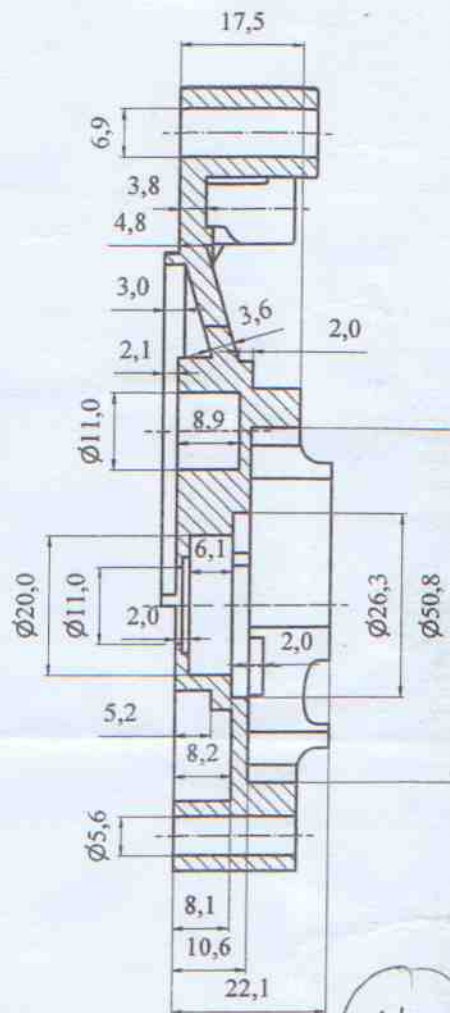
T (2:1)



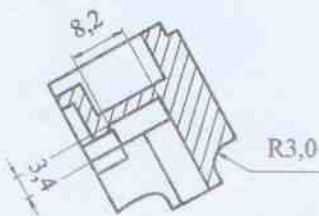
N (1:1)



P-P (1:1)



S-S (1:1)



Notes:

1. Unspecified Fillets R1
2. Unspecified chamfer  $1 \times 45^\circ$
3. Material: Aluminum
4. Mass: 0,1Kg

7TH ASEAN SKILLS COMPETITION -2008

Computer Aided Drawing & Design (CADD)

Scale

1:1

BODY