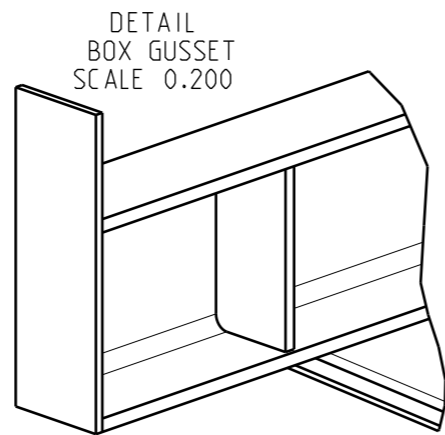
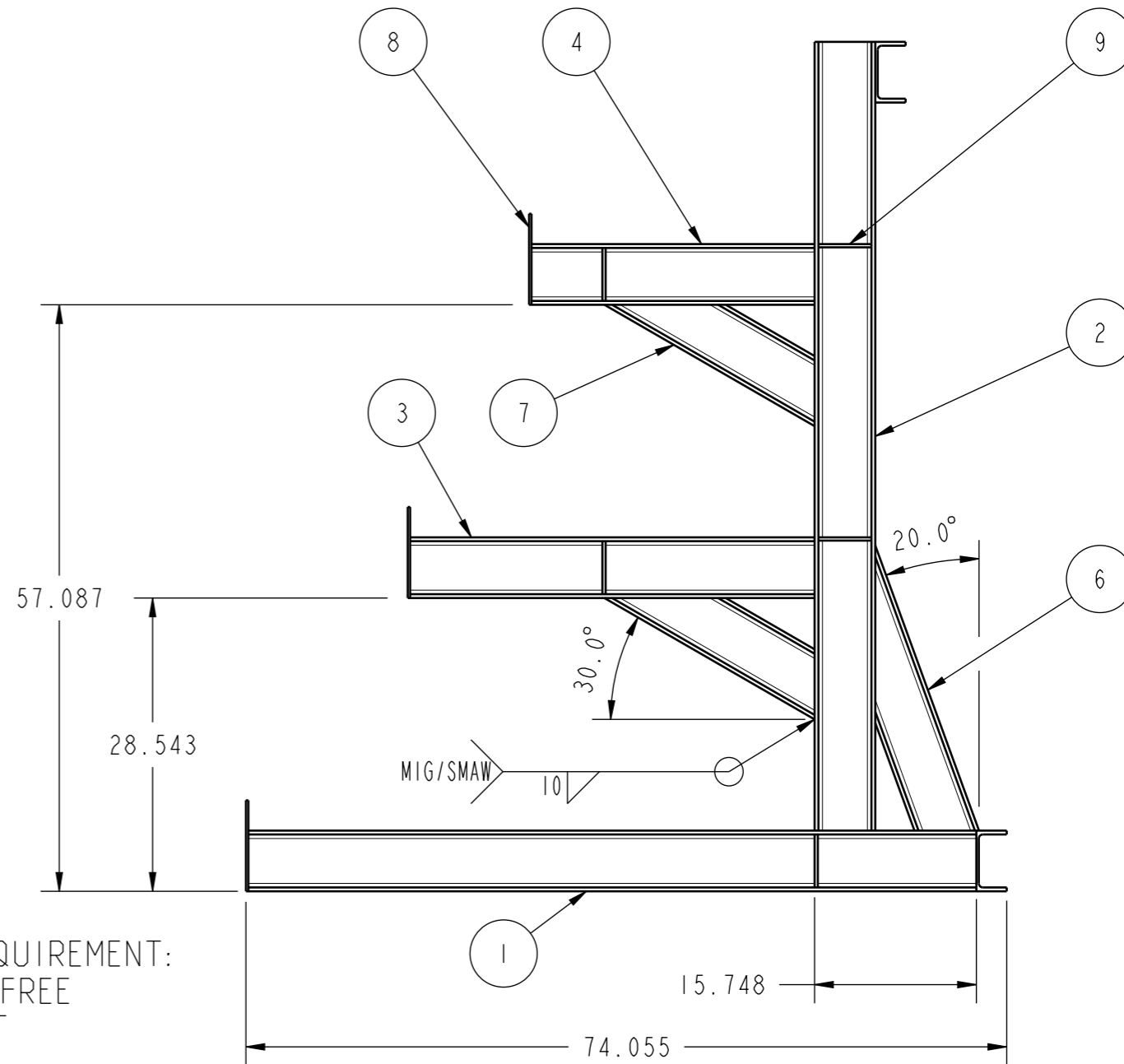
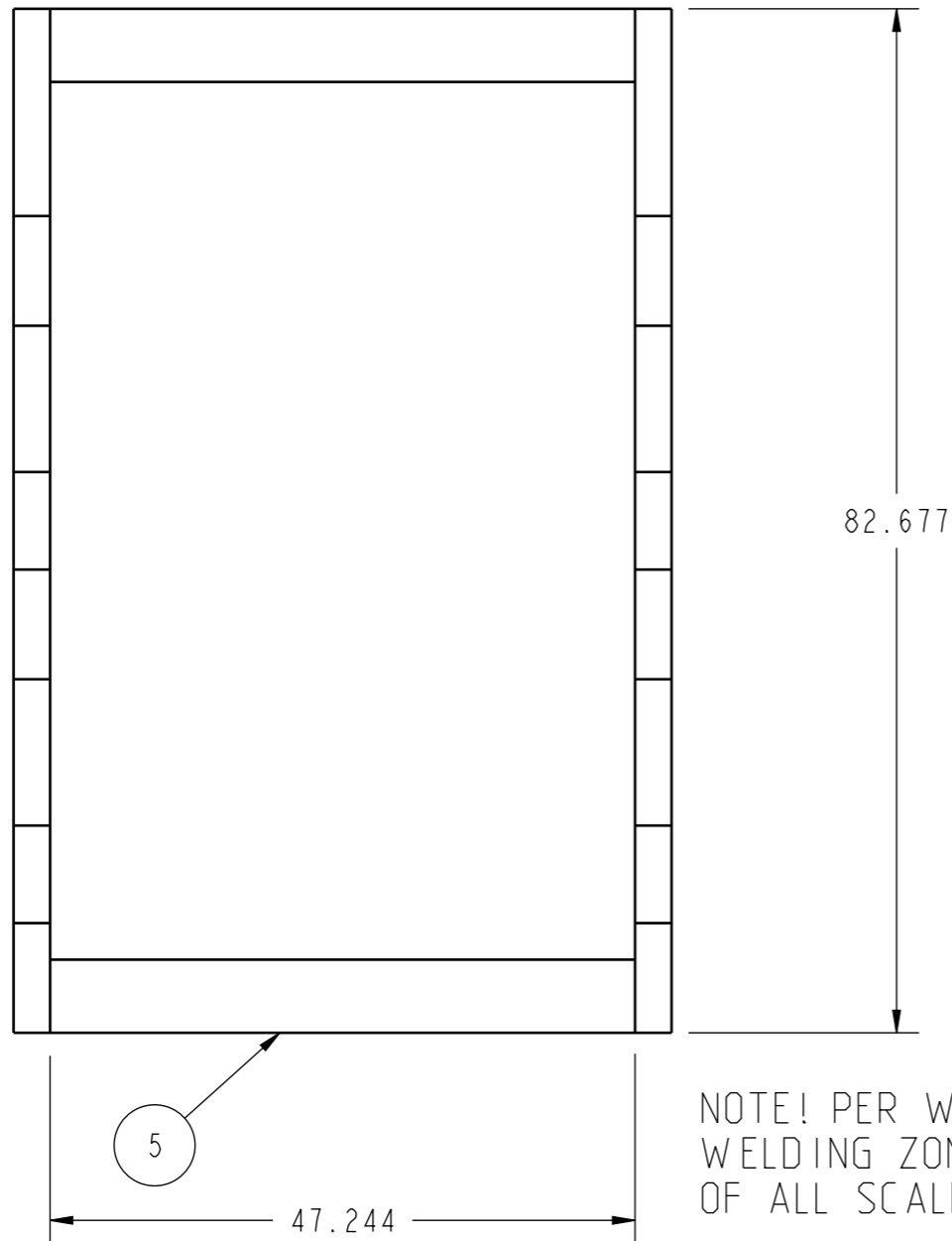


SCALE 0.025



DETAIL BOX GUSSET
SCALE 0.200

INDEX	PART NAME	DESCRIPTION	MATERIAL	LENGHT	QTY
1	150_PFC_A	BASE	150 PARALLEL FLANGE CHANNEL L300	70.866	2
2	150_PFC_B	UPRIGHT	150 PARALLEL FLANGE CHANNEL L300	76.771	2
3	150_PFC_C	MIDDLE LEVEL ARM	150 PARALLEL FLANGE CHANNEL L300	39.370	2
4	150_PFC_D	TOP LEVEL ARM	150 PARALLEL FLANGE CHANNEL L300	27.559	2
5	150_PFC_E	CROSS BRACING	150 PARALLEL FLANGE CHANNEL L300	53.150	2
6	150_PFC_F	UPRIGHT BRACE	150 PARALLEL FLANGE CHANNEL L300	29.528	2
7	150_PFC_G	ARM BRACE	150 PARALLEL FLANGE CHANNEL L300	23.622	4
8	75X6_FLAT	END STOPS ON CHANNEL	75x6 FLAT BAR	8.858	6
9	BOX_GUSSET	BOX GUSSET	65x8 FLAT BAR	5.158	10



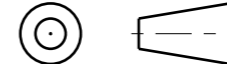
NOTE! PER WELDING REQUIREMENT:
WELDING ZONES TO BE FREE
OF ALL SCALE AND RUST

EXTREME MACHINING AUSTRALIA

THIS DRAWING IS THE PROPERTY OF
EXTREME MACHINING AUSTRALIA PTY LTD.
EXCEPT ON PRIOR WRITTEN PERMISSION OF
EXTREME MACHINING AUSTRALIA IT IS NOT
TO BE USED FOR ANY OTHER PURPOSE EXCEPT
THE MANUFACTURE OF ARTICLES FOR
EXTREME MACHINING AUSTRALIA.
DRAWING TO BE RETURNED UPON REQUEST

- ∠ ANGULARITY
- ⊕ LOCATION
- ↗ TOTAL RUNOUT
- ⊙ CONCENTRICITY
- // PARALLELISM
- ▭ FLATNESS
- ≡ SYMMETRY
- ⊥ PERPENDICULARITY
- ⓪ LMS LEAST MATERIAL CONDITION
- Ⓜ MMS MAXIMUM MATERIAL CONDITION
- Ⓢ RFS REGARDLESS OF FEATURE SIZE

THIRD ANGLE PROJECTION



UNLESS OTHERWISE STATED
ALL DIMENSIONS IN INCHES
GENERAL TOLERANCES UNLESS NOTED

LINEAR
.X = ± 0.030"
.XX = ± 0.015"
.XXX = ± 0.005"
ANGULAR = ± 0.5°
RADI1 = ± 0.032"R

TITLE		FINGER RACK BASIC DIMENSIONS	
PART NAME	XMA-GE0233		
MATERIAL	AS PER INDIVIDUAL COMPONENTS		
HEAT TREATMENT	AS PER INDIVIDUAL COMPONENTS	SCALE	0.07
DRAWN BY	Rhys Walladge	SIZE	A3
CHECKED BY		DATE	26-May-10
DRAWING No:	XMA-GE0233 Rev0	SHEET	1 of 1

REV	DESCRIPTION	ZONE	DATE	APPD