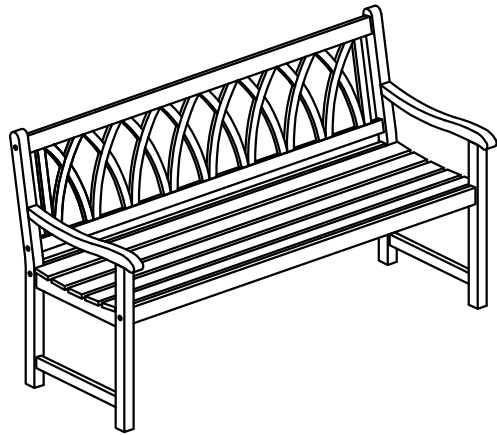
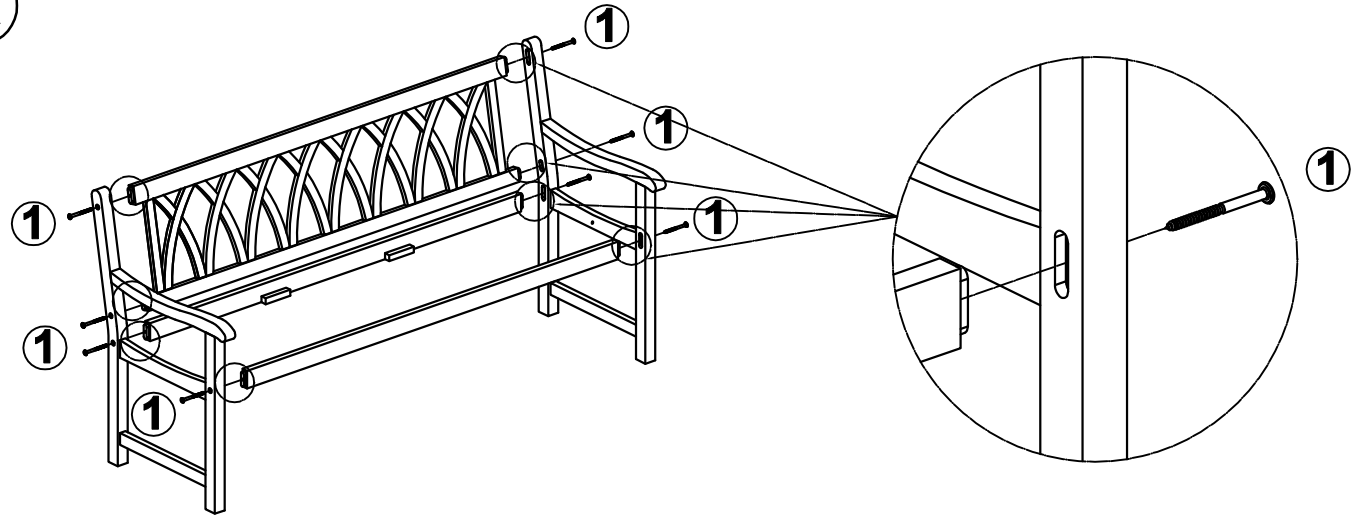


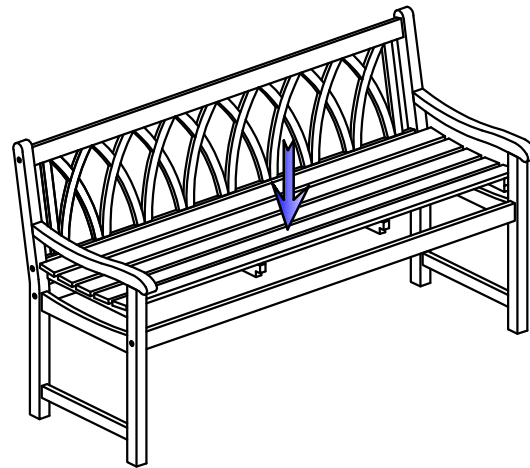
ASSEMBLY INSTRUCTIONS



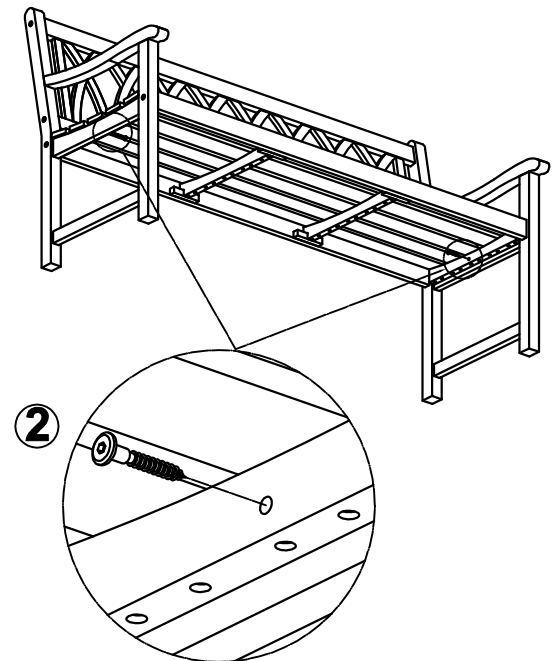
A



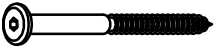

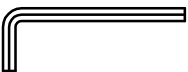
B



C



HARDWARE

1	 (7x90)mm	8 Pcs
2	 (6x35)mm	2 Pcs
		1 Pc