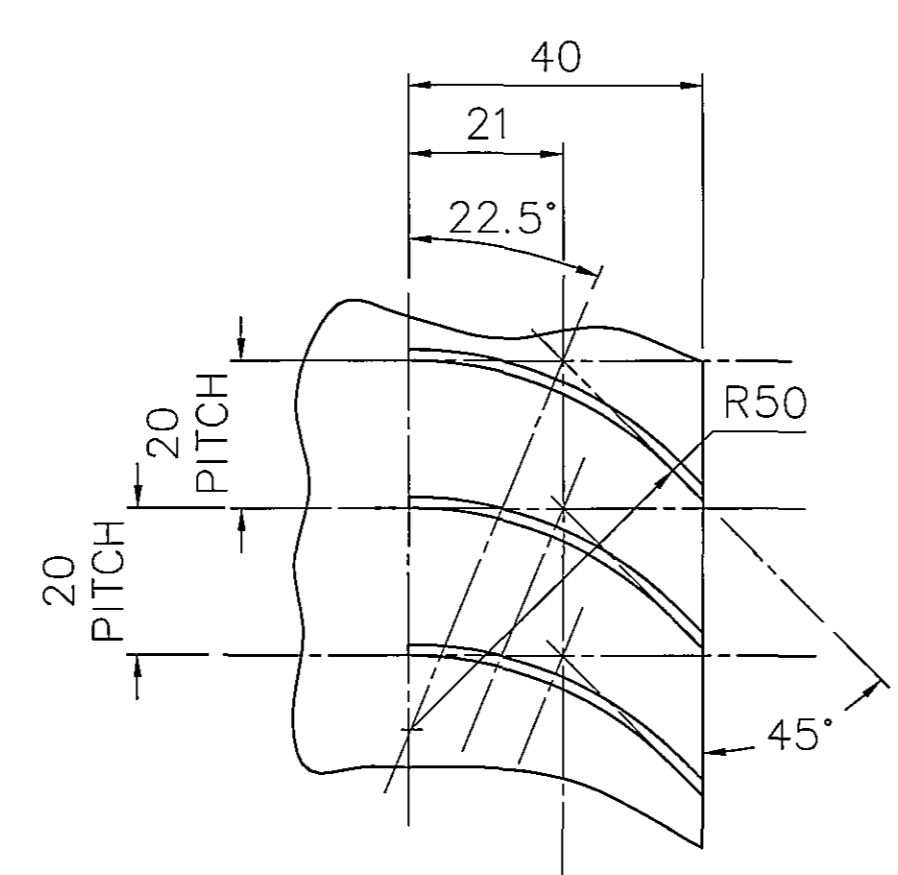
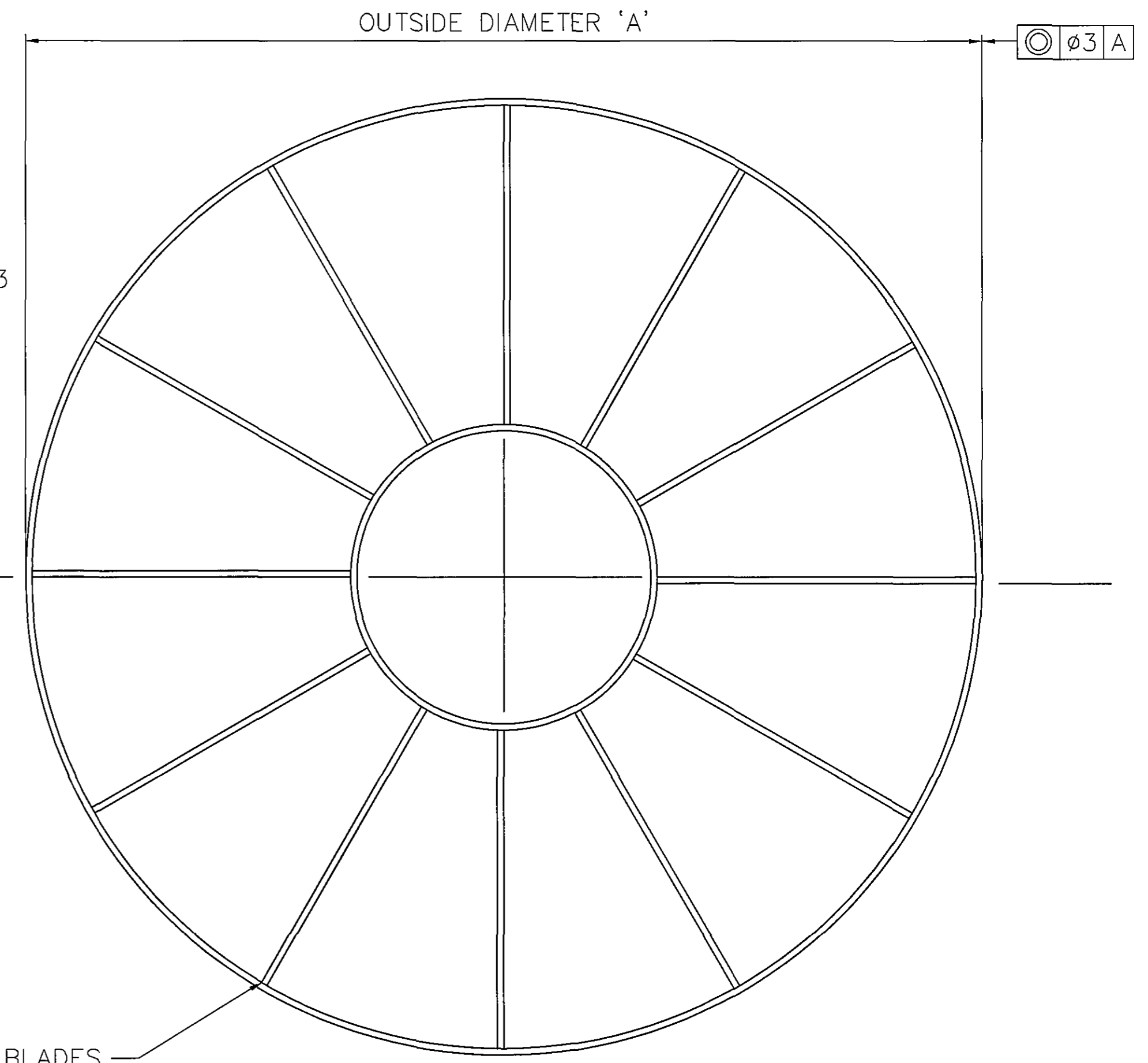
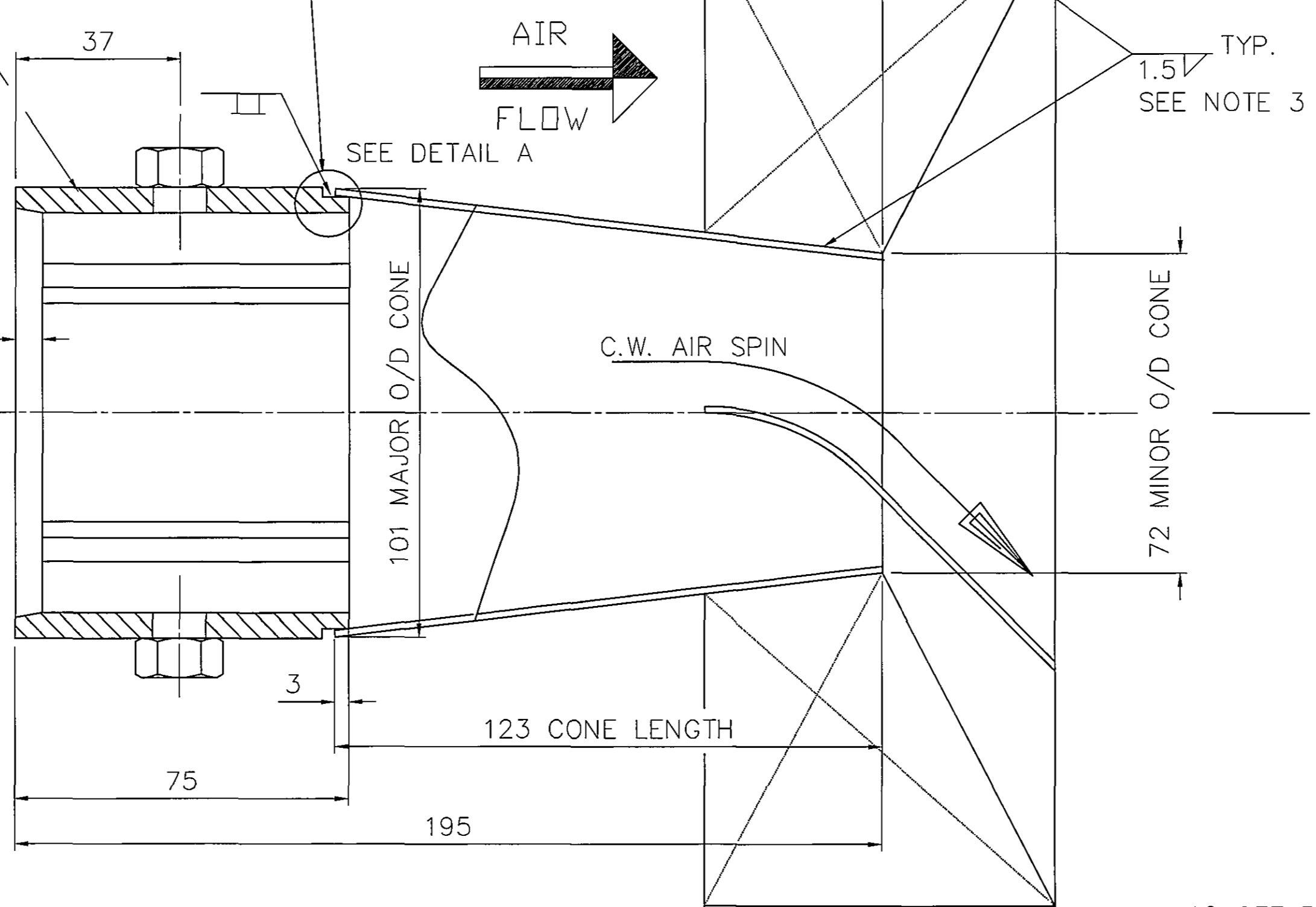
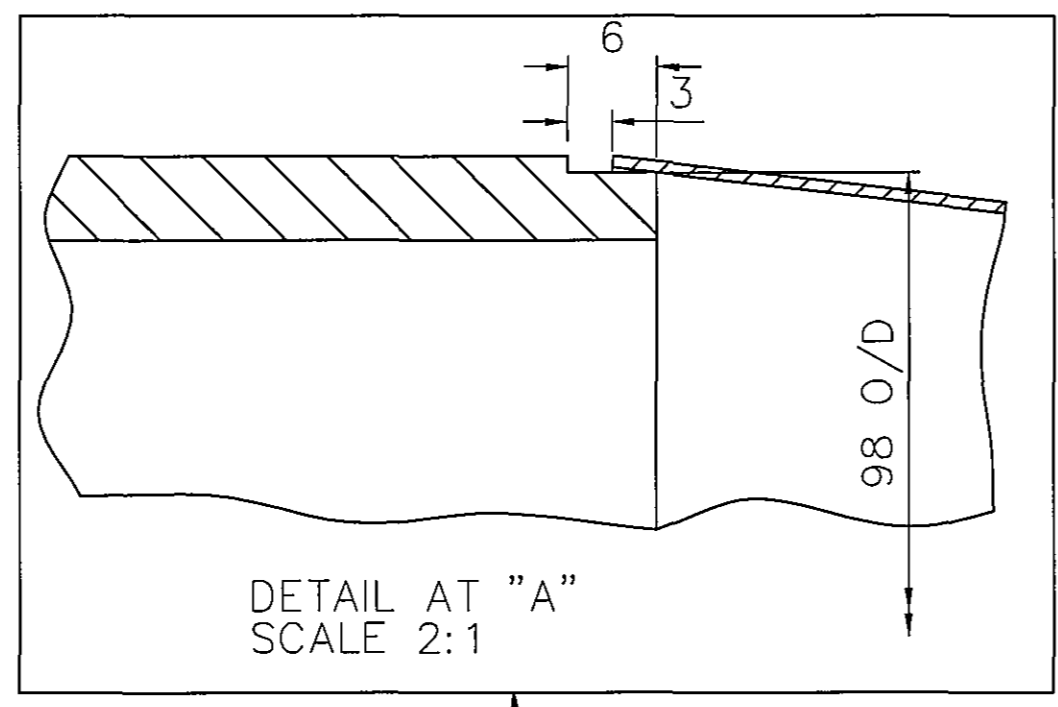
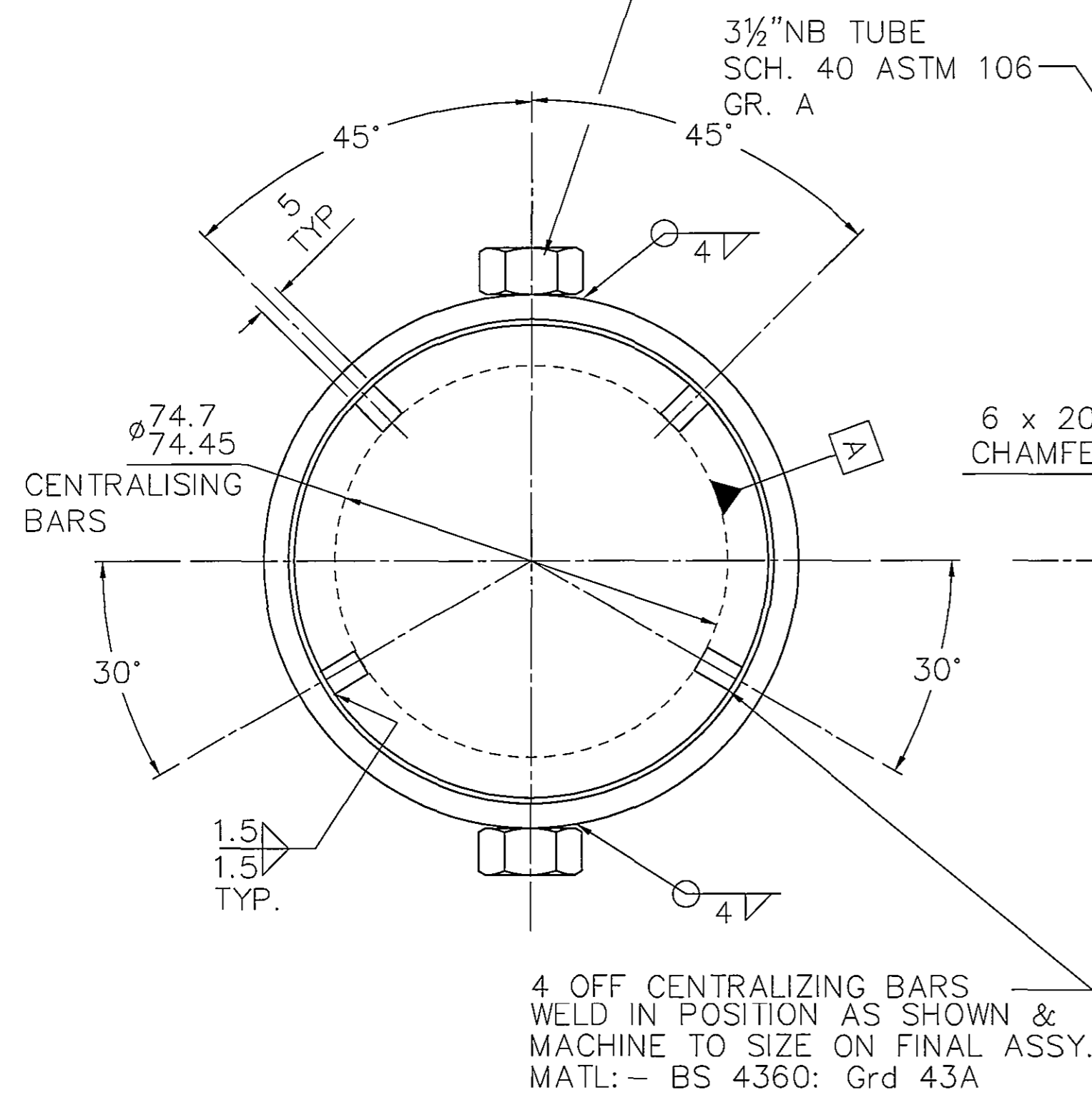
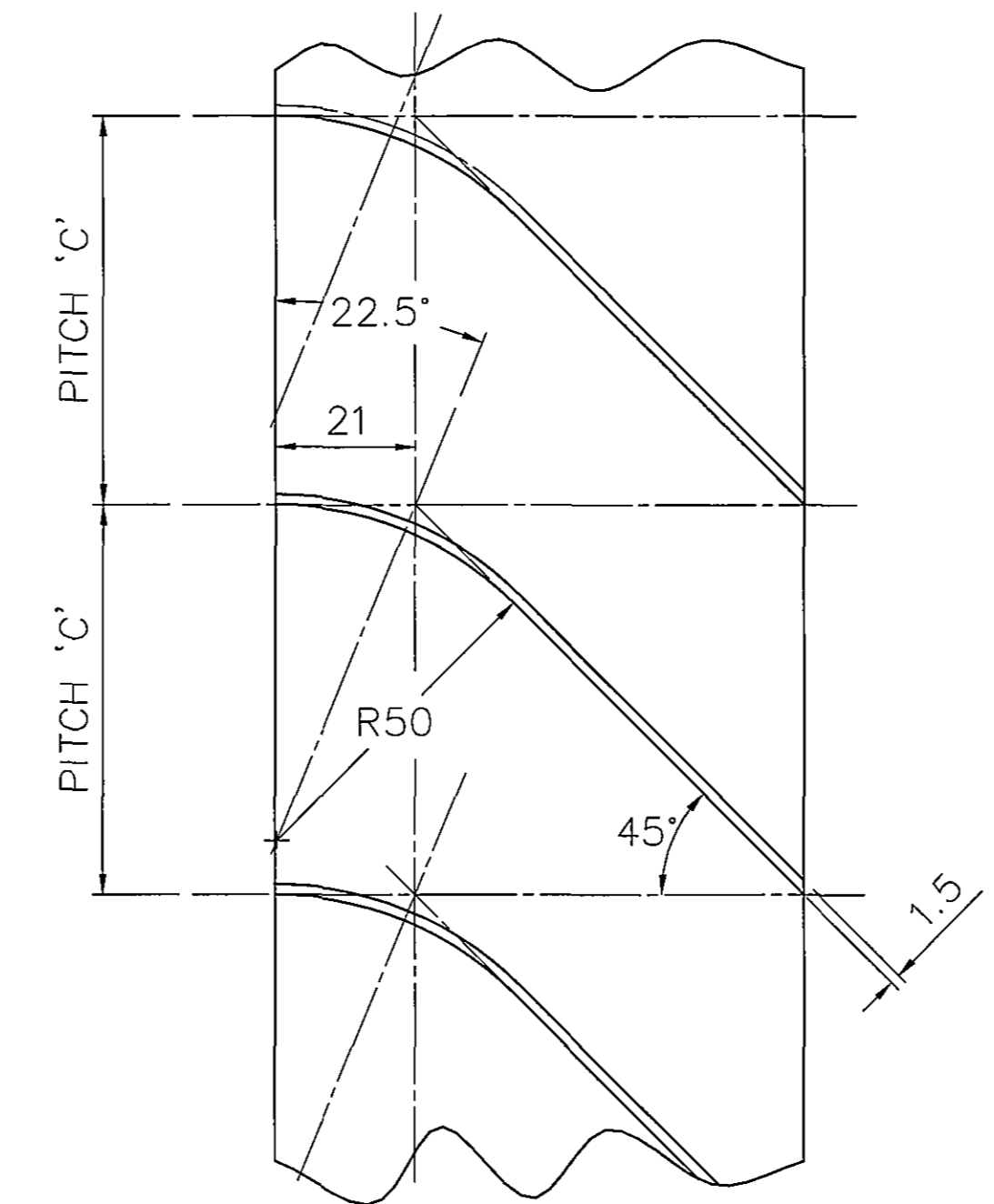


2-OFF M10 HEX FULL NUTS
 WELD CENTRALLY OVER Ø12 HOLES
 FIT M10 SKT HD. CAPSCREWS WITH
 LOCKNUTS - 1 OFF 45 LG. CONE POINT
 1 OFF 40 LG. FLAT POINT
 CAPSCREWS TO BS.4168
 NEX. NUTS TO BS.4190 GR.4



VIEW ON BLADES AT CONE



VIEW ON BLADES AT SHROUD

150	-	150	60	39
375	-	375	118	97
700	1001 - 1050	700	203	182
650	951 - 1000	650	190	169
600	901 - 950	600	177	156
550	851 - 900	550	164	143
500	801 - 850	500	151	130
450	751 - 800	450	138	117
400	701 - 750	400	125	104
350	651 - 700	350	112	91
325	601 - 650	325	105	84
300	551 - 600	300	99	78
275	501 - 550	275	92	71
250	451 - 500	250	86	65
225	401 - 450	225	79	58
200	375 - 400	200	73	52
175	301 - 350	175	66	45
SIZE	TO SUIT THROAT DIA	OUTSIDE DIAMETER 'A'	SHROUD WIDTH 'B'	PITCH AT SHROUD 'C'

- NOTES**
- FOR C.W. AIR SPIN:- BLADES AS DRAWN
 FOR C.C.W. AIR SPIN:- BLADES OPPOSITE HAND
 - CONE, BLADES & SHROUD TO BE ST. ST.
 TO BS 1449:PT2:310S24: 1.5 THICK
 - WELD MOST CONVENIENT SIDE OF BLADE.
 - FINISH: NATURAL